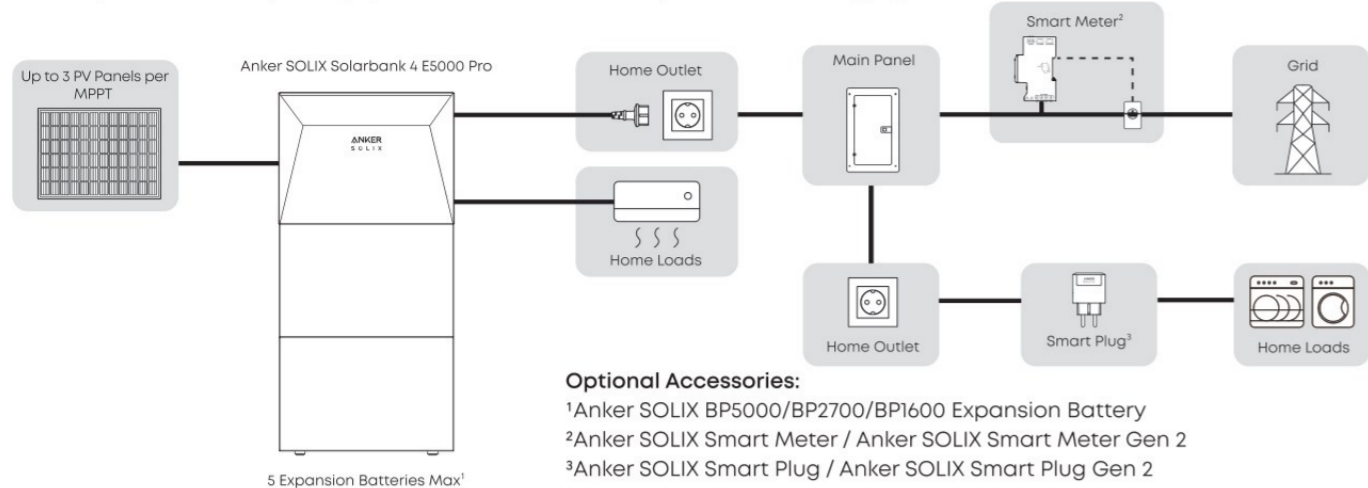




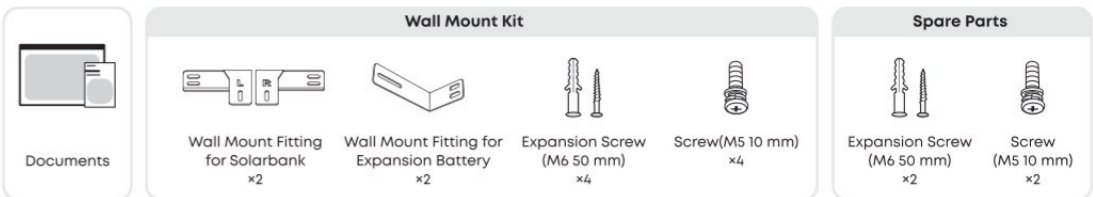
1 System Overview

This diagram shows the primary system for the whole-home photovoltaic energy cycle.



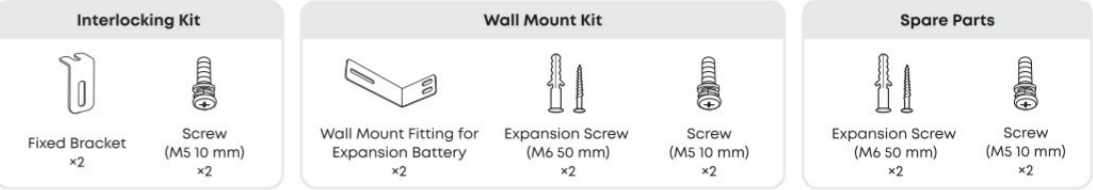
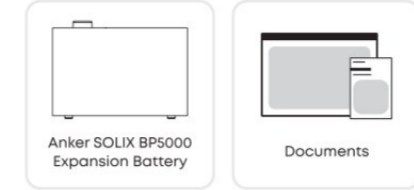
2 Unboxing

In the Solarbank Box



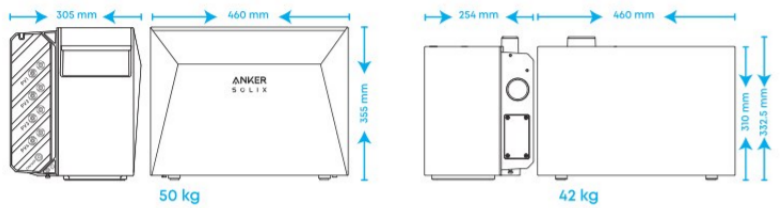
In the Expansion Battery¹ Box

¹Ordered separately.

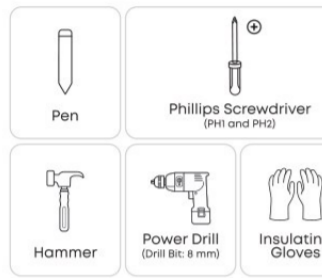


3 Installation

- Do not place the equipment near an area exposed to direct sunlight, fire, or explosive materials.
- Ensure Solarbank is off during installation.
- The following installation guidance uses Solarbank with Anker SOLIX BP5000 Expansion Battery as an example. For other expansion battery models, refer to the online user manual.

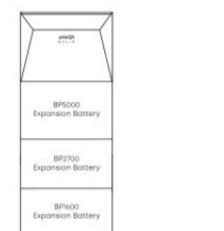


1 Prepare Tools (Not Included)



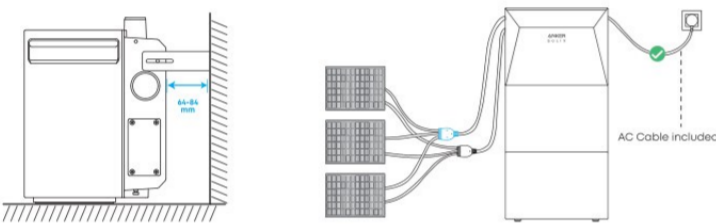
2 Determine the Stacking Order

When different models of expansion batteries are used together, stack them as shown for maximum charging capacity.

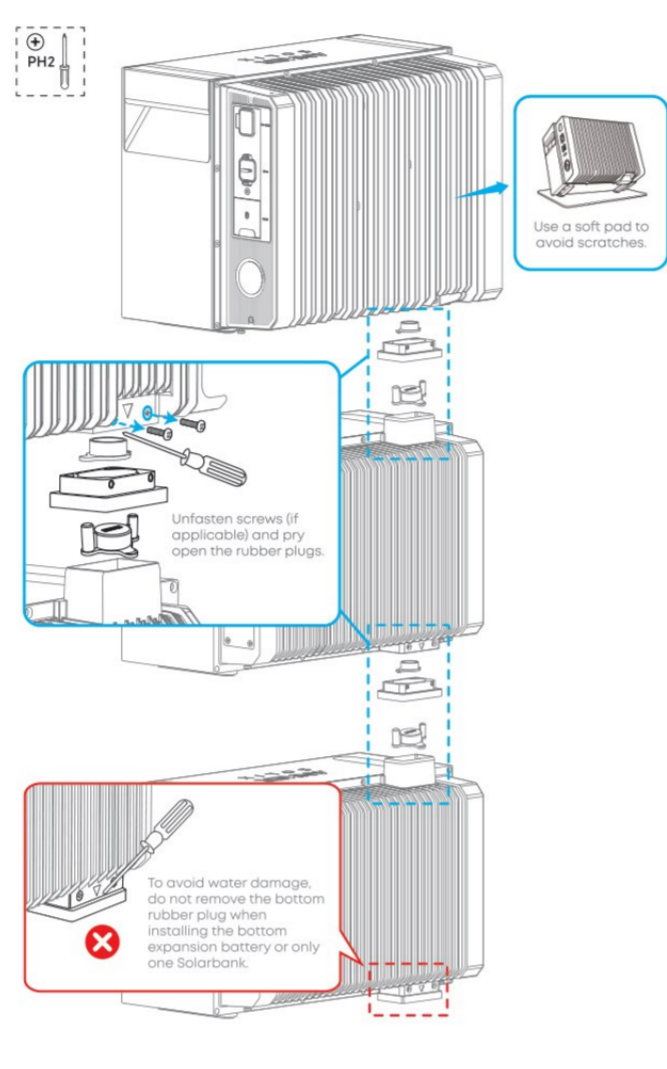


3 Select an Installation Site

- Within Wi-Fi coverage
- Ensure the AC Cable (3m) can reach the Solarbank
- Ensure easy connection to PV panels
- Maintain clearance from wall to bottom unit:
 - BP5000: 64-84 mm
 - BP2700/BP1600: 65-105 mm

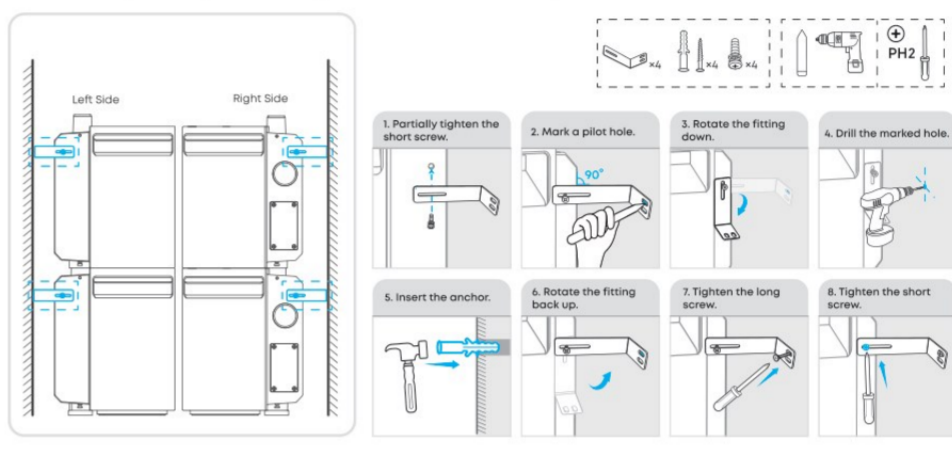


4 Remove Rubber Plugs



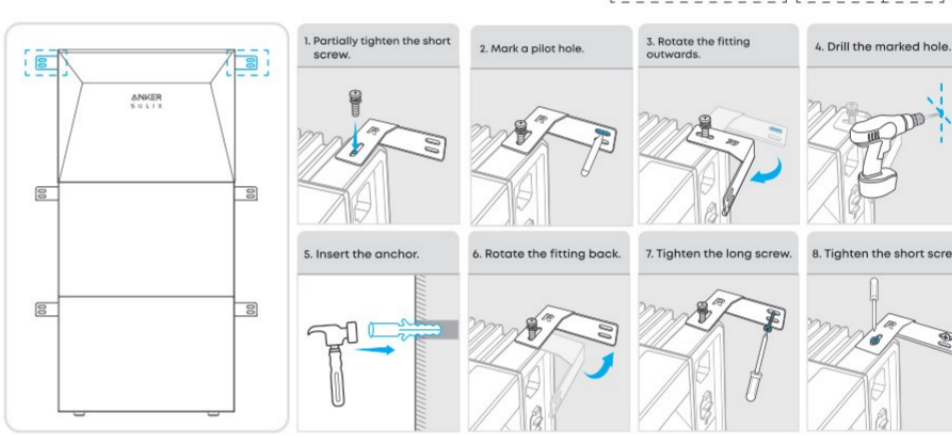
5 Install the Expansion Batteries

- Stack the expansion batteries in sequence by inserting the two corresponding ports into each other.
- After stacking each expansion battery, attach the wall mount fittings to both sides of the unit to secure it.

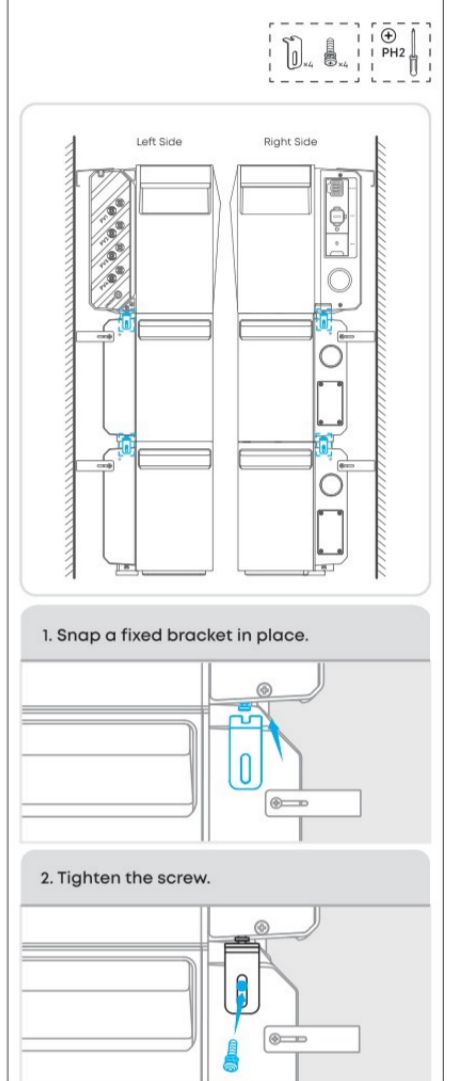


6 Install the Solarbank

- Stack Solarbank at the top by inserting the two corresponding ports into each other.
- Attach the wall mount fittings to both sides of the Solarbank.



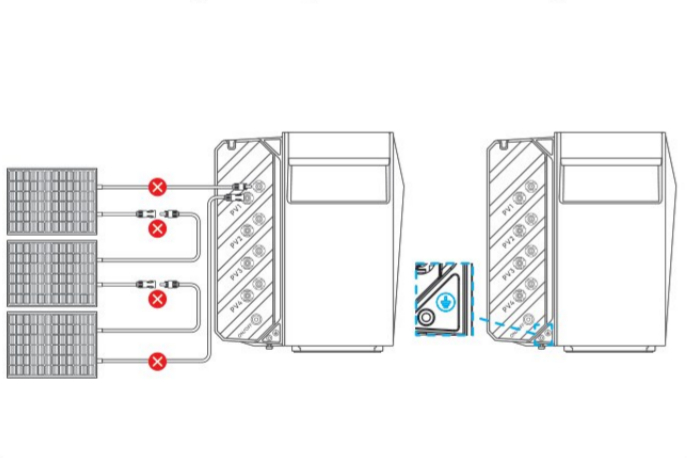
7 Install the Interlocking Kit



4 Electrical Connections

注意：此线为折线，不需印刷！

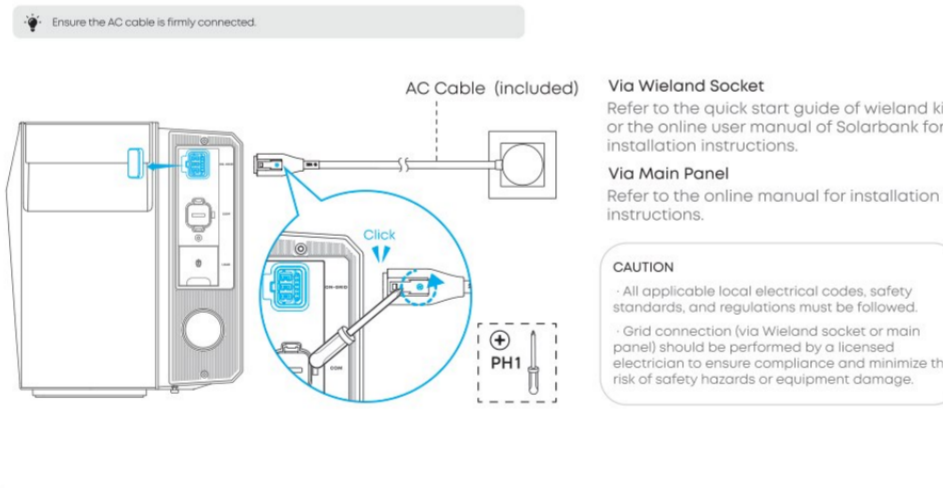
- Ensure Solarbank is off during wiring.
- Never connect PV modules in series to avoid damage to the equipment.
- Ensure that unused PV ports on Solarbank are sealed with waterproof caps.
- To avoid electric shock, ground Solarbank using the grounding point as shown. For wiring instructions, please refer to the online user guide.



1 Connect to the Grid

Via Socket

Connect Solarbank to a home outlet with included AC cable. Then loosen the screw on the connector until the latch cannot be pressed.



Via Wieland Socket

Refer to the quick start guide of wieland kit or the online user manual of Solarbank for installation instructions.

Via Main Panel

Refer to the online manual for installation instructions.

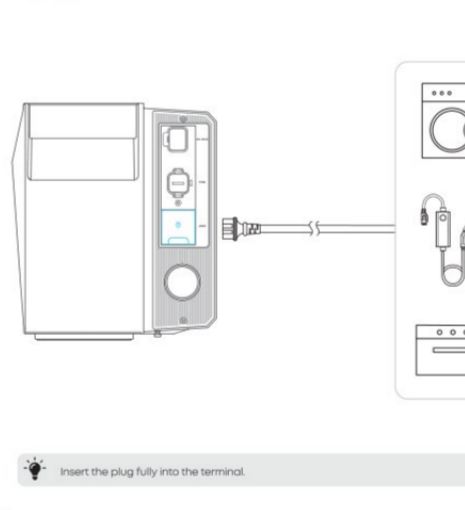
CAUTION

All applicable local electrical codes, safety standards, and regulations must be followed.

Grid connection (via Wieland socket or main panel) should be performed by a licensed electrician to ensure compliance and minimize the risk of safety hazards or equipment damage.

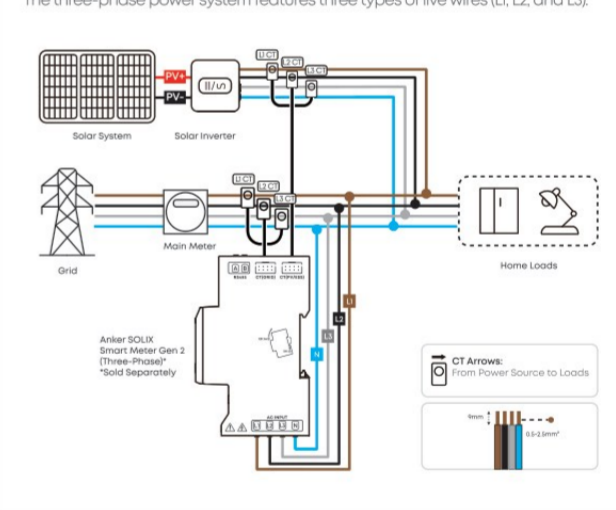
3 Connect to Your Device

Power your device directly using the backup terminal if needed.



Three-Phase Connection

The three-phase power system features three types of live wires (L1, L2, and L3).

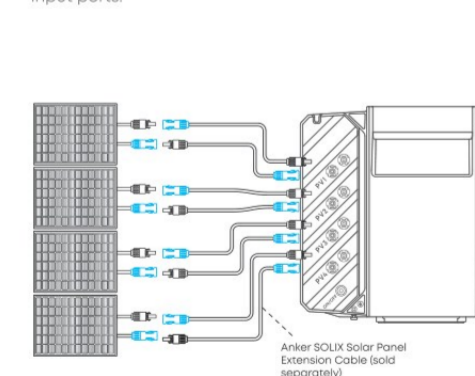


2 Connect to PV Modules

It is recommended to use PV cables of 3 m or less. Cables exceeding 3 m in length may interfere with certain electronic devices.

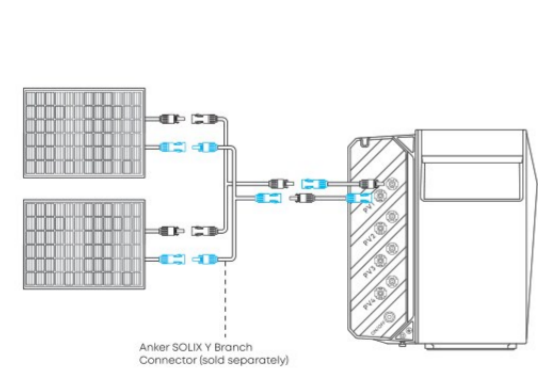
Direct Connection (Up to 4 PV Modules)

Connect each PV module directly to the same set of PV input ports.



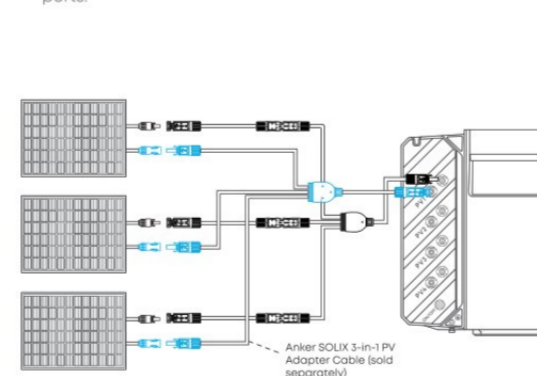
Parallel Connection (Up to 8 PV Modules)

Connect every two PV modules to the same set of PV input ports.



Parallel Connection (Up to 12 PV Modules)

Connect every three PV modules to the same set of PV input ports.



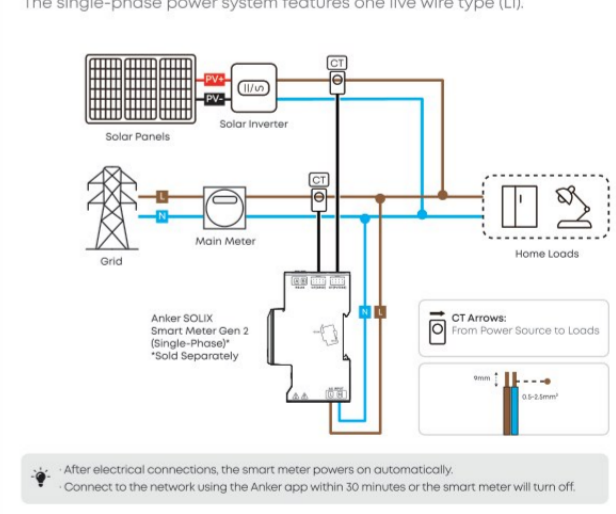
4 (Optional) Install the Smart Meter

The following section shows the installation of Anker SOLIX Smart Meter Gen2. For the installation of other compatible meters, refer to the online manual of Solarbank.



Single-Phase Connection

The single-phase power system features one live wire type (L1).

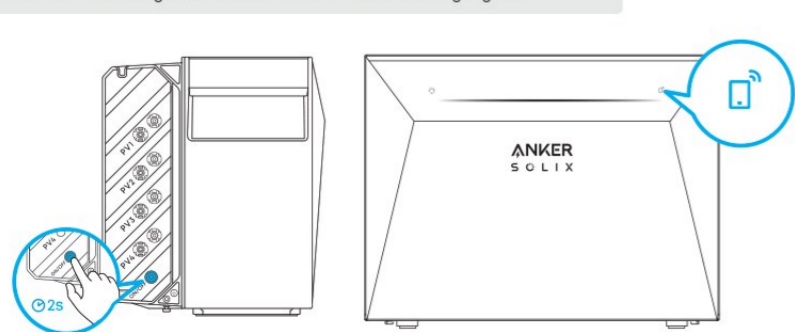


5 Device Setup

1 Power On

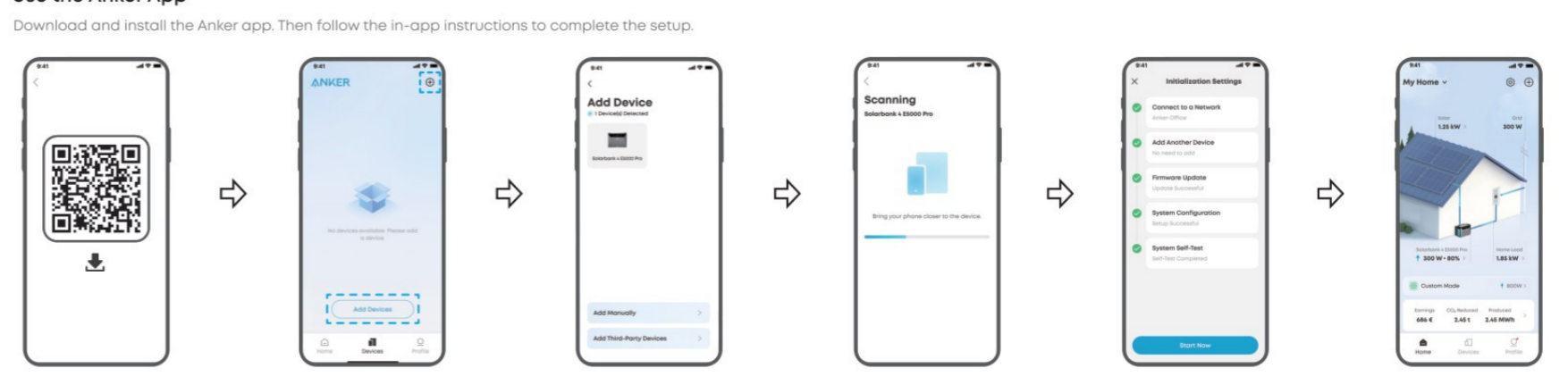
Press the power button for 2 seconds until the display lights up. Solarbank will automatically enter networking mode.

- To turn off the Solarbank, press the power button for 2 seconds.
- Refer to the online user guide for the button controls and LED light guide.



2 Use the Anker App

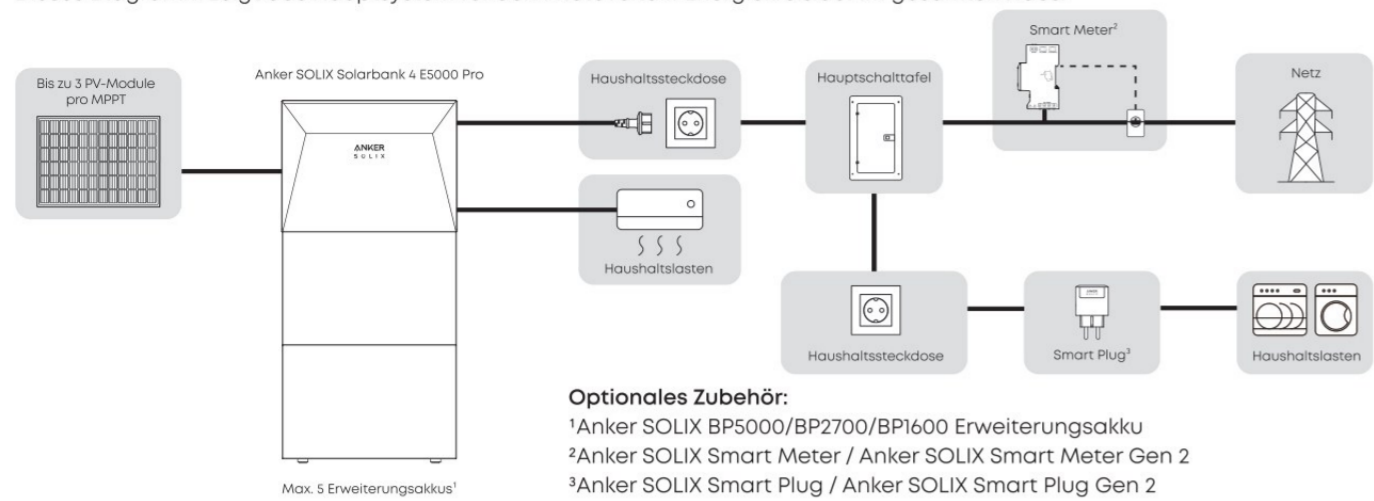
Download and install the Anker app. Then follow the in-app instructions to complete the setup.





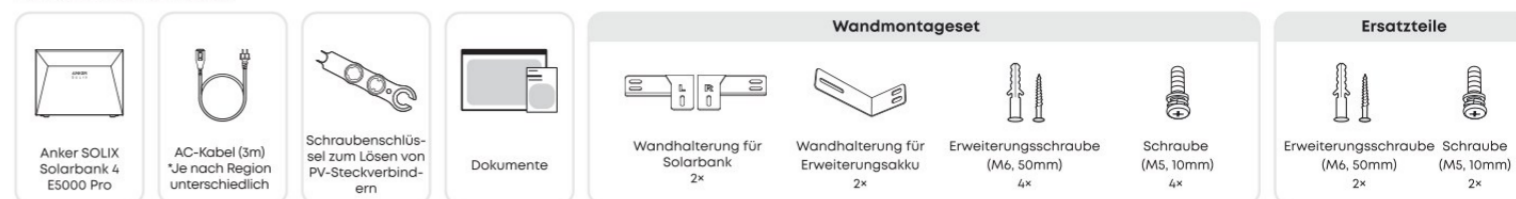
1 Systemübersicht

Dieses Diagramm zeigt das Hauptsystem für den Photovoltaik-Energiekreislauf im gesamten Haus.



2 Auspacken

Im Solarbank-Paket

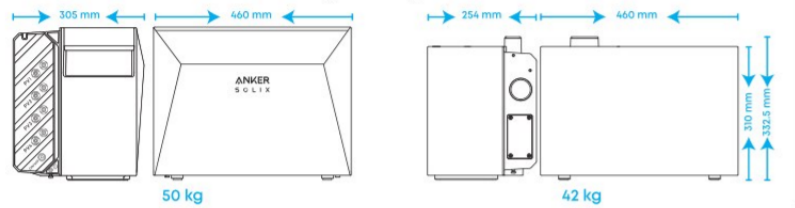


Im Erweiterungsakku-Paket¹



3 Installation

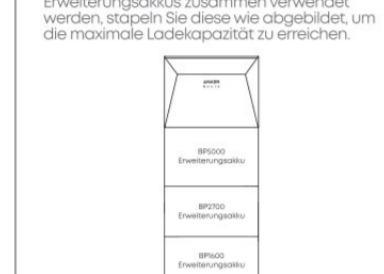
Stellen Sie das Gerät nicht in der Nähe von Orten auf, die direkter Sonneneinstrahlung, Feuer oder explosiven Stoffen ausgesetzt sind.
 Stellen Sie sicher, dass die Solarbank während der Installation ausgeschaltet ist.
 Die folgende Installationsanleitung verwendet als Beispiel die Solarbank mit dem Anker SOLIX BP5000 Erweiterungsakku. Informationen zu anderen Erweiterungsakku-Modellen finden Sie in der Online-Bedienungsanleitung.



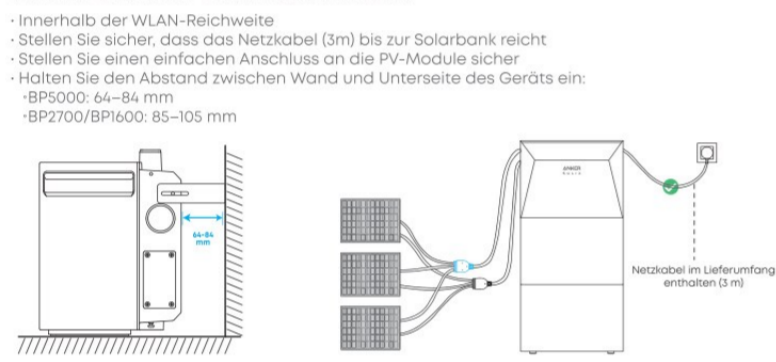
1 Werkzeuge bereitstellen (nicht im Lieferumfang enthalten)



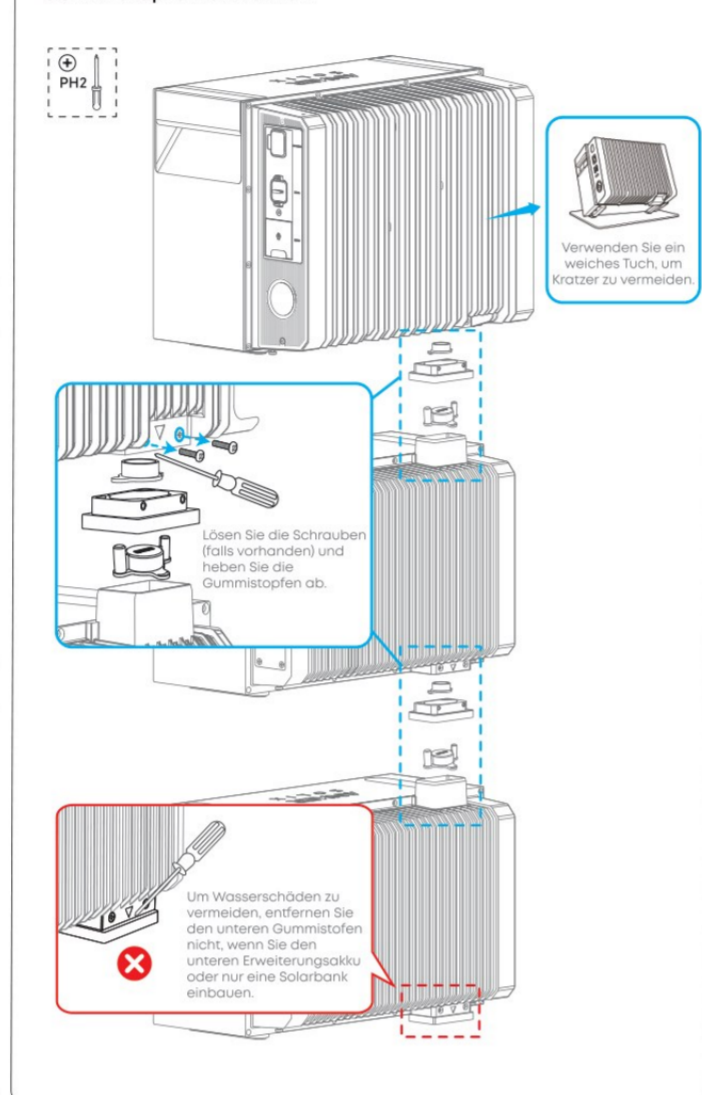
2 Die Stapelreihenfolge festlegen



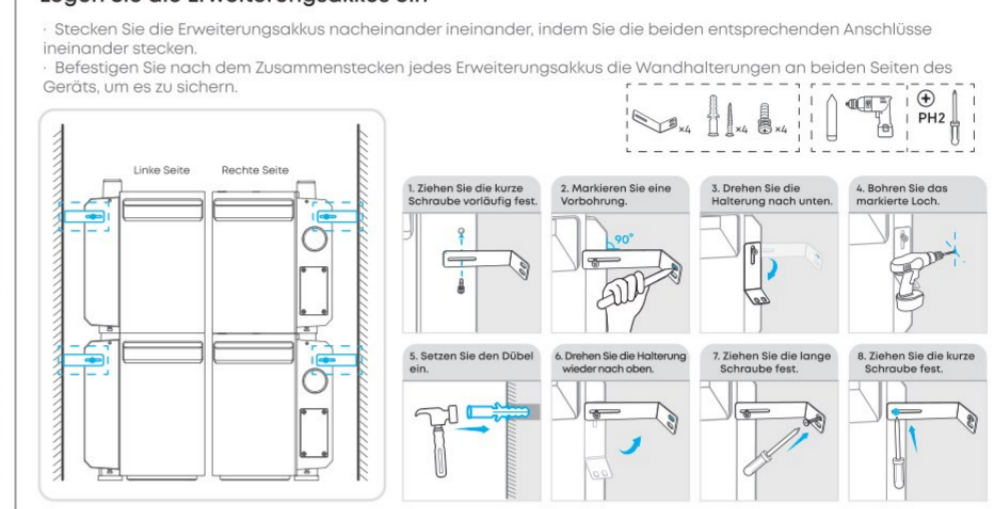
3 Wählen Sie einen Installationsort aus



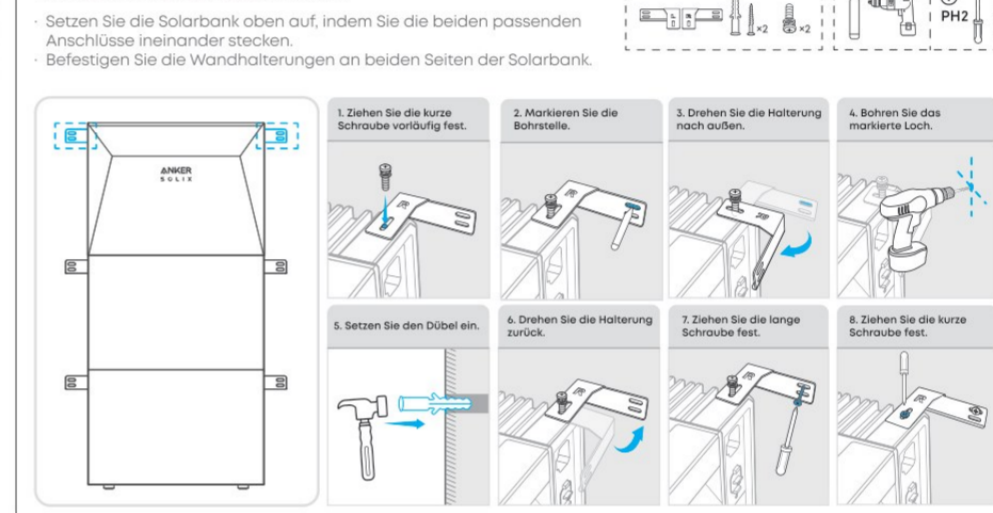
4 Gummistopfen entfernen



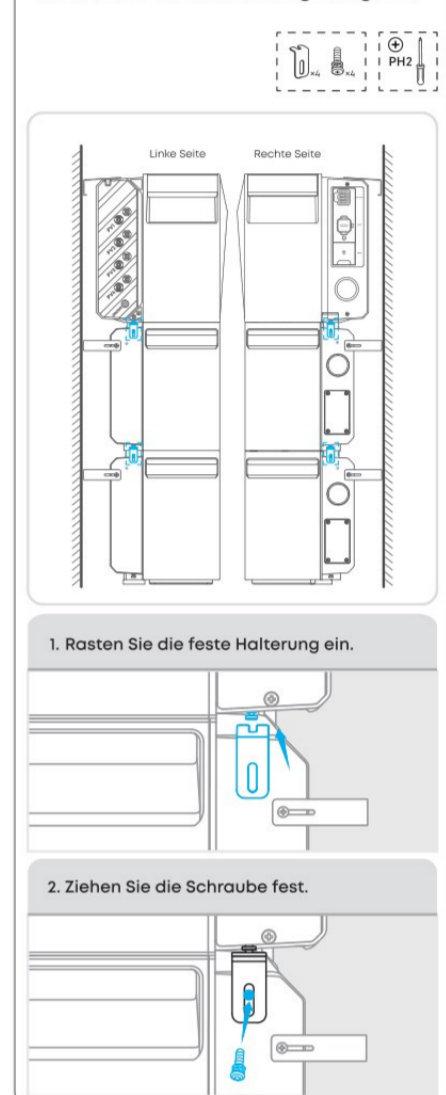
5 Legen Sie die Erweiterungsakkus ein



6 Installieren Sie die Solarbank



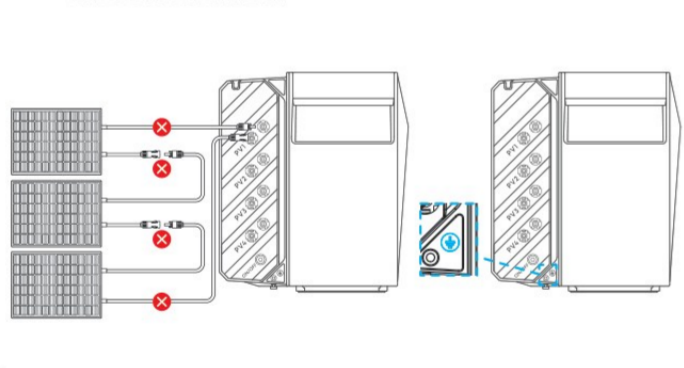
7 Montieren Sie das Verriegelungssystem



4 Elektrische Anschlüsse

注意：此线为折线，不需印刷！

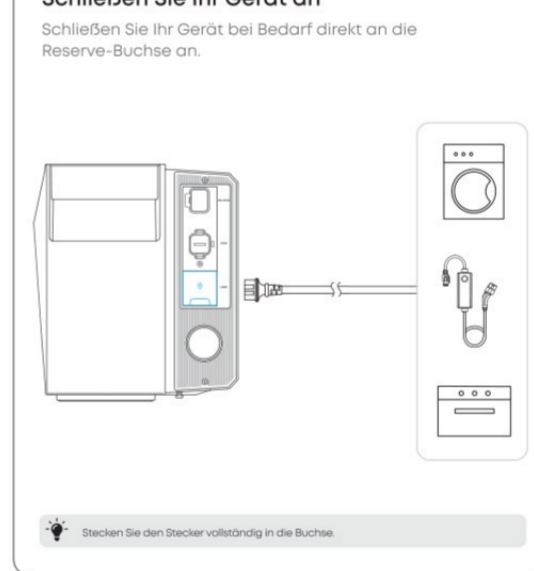
Stellen Sie sicher, dass die Solarbank während der Verkabelung ausgeschaltet ist.
 Schließen Sie PV-Module niemals in Reihe an, um Schäden an den Geräten zu vermeiden.
 Stellen Sie sicher, dass nicht verwendete PV-Anschlüsse an der Solarbank mit wasserdichten Kappen verschlossen sind.
 Um einen Stromschlag zu vermeiden, erten Sie die Solarbank über den abgebildeten Erdungspunkt. Anweisungen zur Verkabelung finden Sie im Online-Benutzerhandbuch.



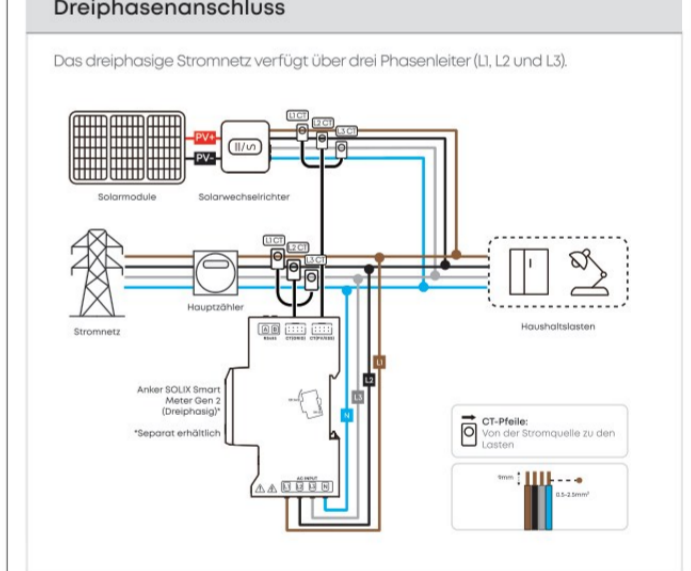
1 Anschluss an das Stromnetz



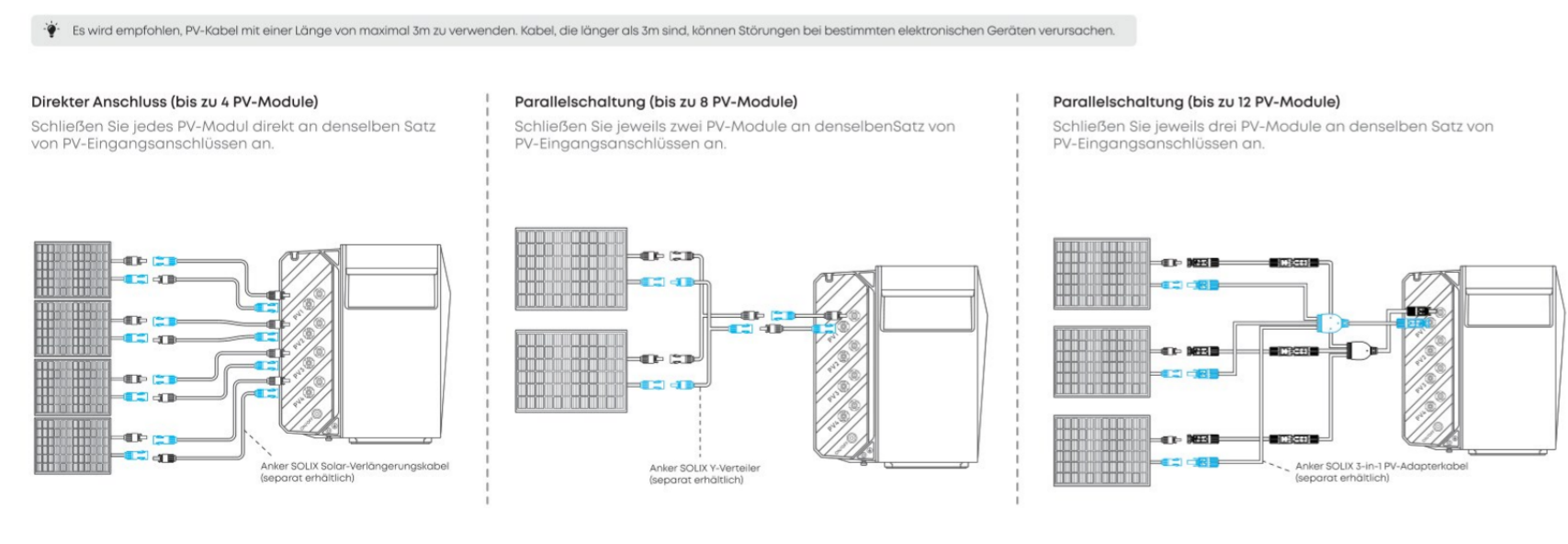
3 Schließen Sie Ihr Gerät an



Dreiphasenanschluss



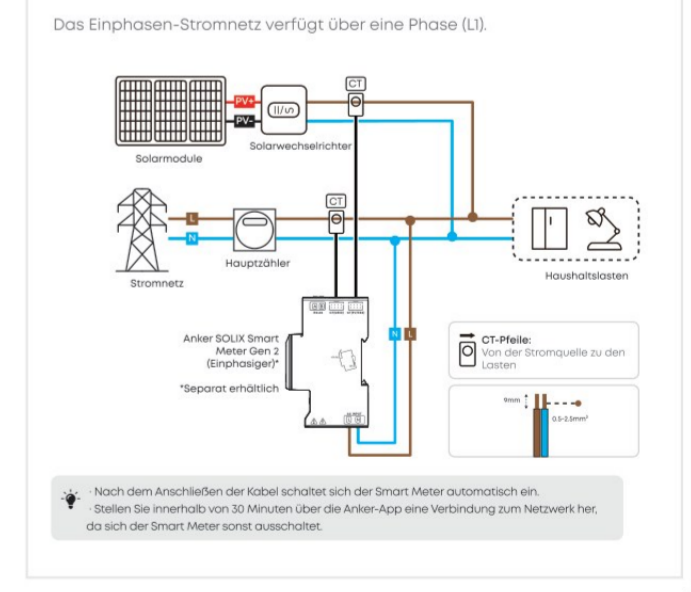
2 Anschluss an die PV-Module



(Optional) Installation des Smart Meters



Einphasiger Anschluss



5 Einrichtung des Geräts

